

STURDI-WALL



The *STURDI-WALL* Advantage

PROFESSIONAL

Engineered column anchors take the guessing out of design work, and a powder coated finish adds refinement to any project.

FLEXIBLE

A wet set and drill set option make installation a breeze for any situation.

ECONOMICAL

Sturdi-Wall is the first column anchor designed specifically for the Post-Frame Industry. Cutting edge production technology guarantees a price that can not be beat.

DURABLE

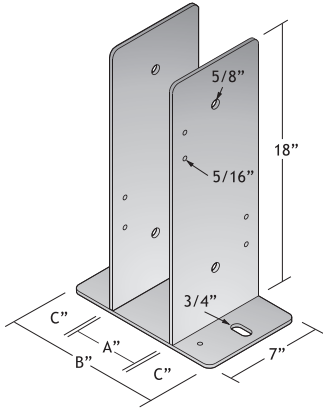
Building on concrete eliminates the problems inherent with wood foundations.

Start using Sturdi-Wall column anchors on any job with a poured foundation, and rest assured that you are using the best!

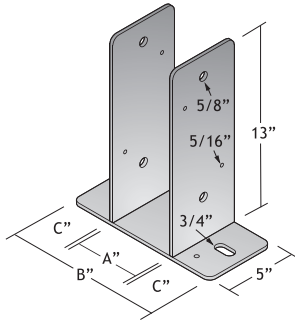
a product of:



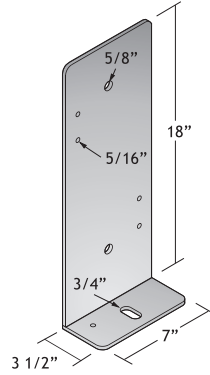
SW8 SERIES



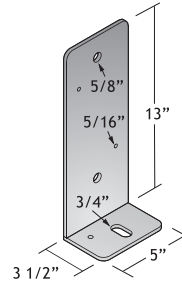
SW6 SERIES



SW80-L universal



SW60-L universal



	TYPE	DIM A	DIM B	DIM C
SW46	4" X 6" POST	3-5/8"	12-1/8"	4"
SW66	6" X 6" POST	5-5/8"	13-5/8"	3-3/4"
SW63	3 PLY 6" LAM COL	4-5/8"	12-1/8"	3-1/2"
SW64	4 PLY 6" LAM COL	6-1/8"	13-5/8"	3-1/2"
SW83	3 PLY 8" LAM COL	4-5/8"	12-1/8"	3-1/2"
SW84	4 PLY 8" LAM COL	6-1/8"	13-5/8"	3-1/2"

*If glue-lam columns are to be used, note the required pocket dimension when ordering.

Table 6.1 Allowable Shear and Uplift for Sturdi-Wall Base Brackets

All Loads in Pounds	Wood to Steel Connection		Steel to Concrete Connection							
			5/8" Anchor "L" Bolts		5/8" Epoxy Anchor		Expansion Anchor		5/8" Screw Anchor	
	Shear (160)	Uplift (160)	Shear (100)	Uplift (100)	Shear (100)	Uplift (100)	Shear (100)	Uplift (100)	Shear (100)	Uplift (100)
SW46	5700	7520	6180	7050	6180	7850	2940 (a)	3650 (a)	3492	5913
SW66	5700	7520	6650	7050	6650	8450	2940 (a)	3650 (a)	3492	5913
SW63	5700	7520	6450	7050	6450	8200	2940 (a)	3650 (a)	3492	5913
SW64	5700	7520	6650	7050	6650	8450	2940 (a)	3650 (a)	3492	5913
SW83	8200	10020	8220	8225	8220	9100	4685 (b)	5130 (b)	4607	6570
SW84	8200	10020	8475	8225	8475	9400	4685 (b)	5130 (b)	4607	6570
SW60 (pair)	5700	7520	6180	7050	6180	7850	2940 (a)	3650 (a)	3492	5913
SW80 (pair)	8200	10020	8220	8225	8220	9100	4685 (b)	5130 (b)	4607	6570

(a) 1/2" Expansion Anchor
(b) 5/8" Expansion Anchor

Notes:

- 1) This chart is for Sturdi-Wall brackets used in a post frame building application to connect wood columns to a concrete foundation.
- 2) The forces applied from posts to brackets are a vertical uplift force, and a horizontal shear force. Loads shown are unfactored.
- 3) Wood to steel design numbers calculated as per the 2001 NDS using Southern Yellow Pine columns, dry service conditions.
- 4) The allowable loads in wood have been increased by 60% for wind or seismic loading, reduce where other loads govern.
- 5) The allowable concrete loads may be increased by 33.3 % for short term loading where permitted by Code.
- 6) Steel to concrete design numbers based on a minimum concrete compressive strength f_c of 3000 psi.
- 7) Anchor "L" bolts to be ASTM A307 grade C right angle bend typical.
- 8) Epoxy anchors to be Hilti HY 150 adhesive anchor system using standard HAS Rods, or approved equal.
- 9) Expansion anchors to be Hilti Kwik Bolt II, or approved equal.
- 10) Screw Anchors to be Powers "Wedge-Bolt" self-threading large diameter tapcon or approved equal.
- 11) Install all fasteners as per the manufacturer's recommendations and these notes.
- 12) SW60 and SW80 shall be used as pairs and fastened like the other brackets.
- 13) Bending moment capacity of all Sturdi-Wall brackets assumed to be zero.
- 14) Final bracket design should include a complete building analysis by a Design Professional.
- 15) Installation of anchors in concrete shall adhere to the following chart:

Critical Anchor Dimensions in Concrete

Anchor Type	SW46,SW66,SW63,SW64,SW60			SW83, SW84, SW80		
	I (in)	II (in)	III (in)	I (in)	II (in)	III (in)
5/8" Anchor "L" Bolts	4	8	8.375	5	8	9.375
5/8" Epoxy Anchor	4	5	8.375	5	5	9.375
1/2" Expansion Anchors	4	3.5	8.375	5	3.5	9.375
5/8" Expansion Anchors	-	-	-	5	4	9.375
5/8" Screw Anchor	4	4.5	8.375	5	4.5	9.375

Notes:
 I = Min. distance to concrete edge
 II = Min. embedment depth into concrete
 III = Min. Center to Center Dimension

The Sturdi-Wall design manual can be downloaded via our website: www.sturdiwall.com